

# REU 7 Speed control

7A 1~ 5 step

Item Number: 5007

Variant: 230V 1~ 50/60Hz

Manual five-step transformer\_x000D\_  
\_x000D\_

A single-phase transformer which controls the fan speed by altering the supply voltage in five fixed steps. The steps are adjusted manually, using the control knob on the front of the unit. There are two control switches: one for higher fan speeds and one for lower fan speeds. Switching between the high and low settings is done by an external change-over contact, which could be a thermostat or a timer. The indicator lamp on the front shows when the transformer is in operation. The fuse may be reset from outside. The REU has a self-extinguishing thermoplastic casing. Supply voltage: 230V

50/60Hz.\_x000D\_

\_x000D\_

NOTE! Fans with external thermal contact leads (TK) must always be connected to a motor protection device.\_x000D\_

\_x000D\_



## Technical parameters

### Nominal data

Voltage (nominal)	230	V
Frequency	50; 60	Hz
Phase(s)	1~	
Input current	7	A

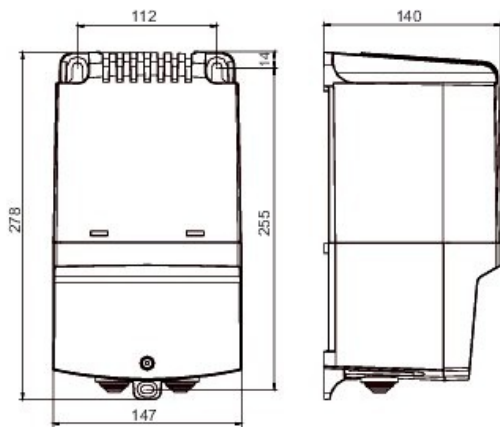
### Protection/Classification

Enclosure class	IP54
-----------------	------

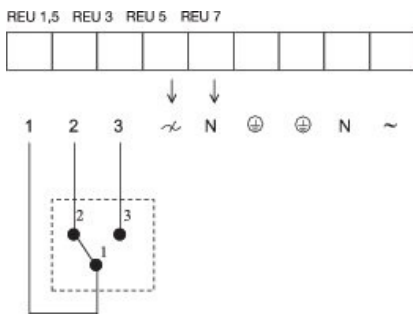
### Dimensions and weights

Depth	140	mm
Height	278	mm
Width	147	mm
Weight	7.05	kg

## Dimension



## Wiring



## Documents

- RE\_RTRE\_REU\_IMO\_GB.PDF
- DECLARATION OF CONFORMITY\_RE\_REU\_RTRE\_EN-2017.PDF